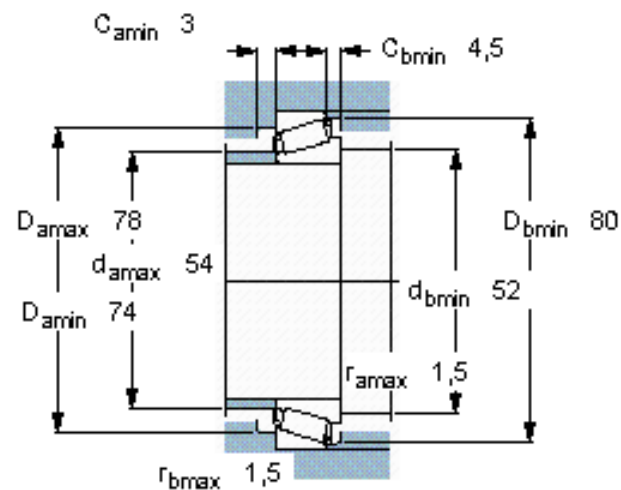
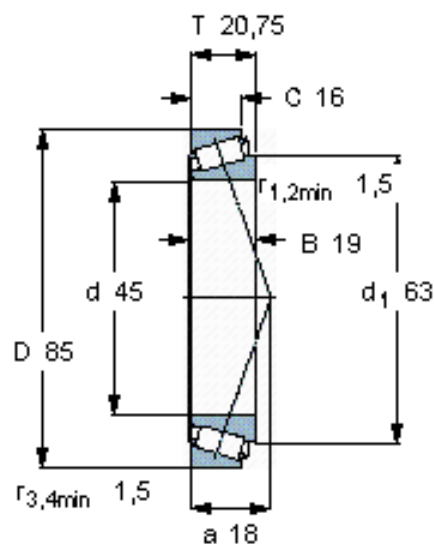


### Taper roller bearings, single row

Principal dimensions			Basic load ratings		Fatigue load limit Pu	Speed ratings		Mass	Designation
d	D	T	dynamic	static		Reference speed	Limiting speed		
mm			kN		kN	r/min		kg	* - SKF Explorer bearing
45	85	20,75	66	76,5	8,65	6000	8000	0,48	30209 J2/Q



#### Calculation factors

e 0,4  
 $\gamma 1,5$   
 $\gamma_0 0,8$