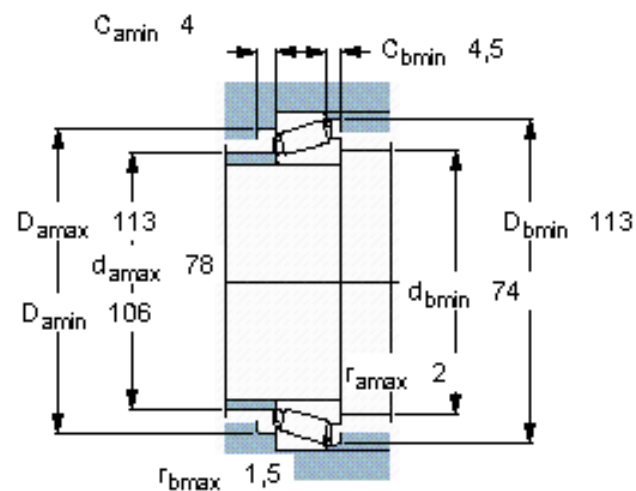
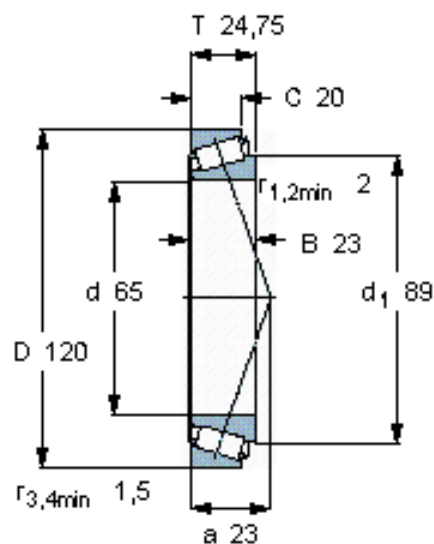


### Taper roller bearings, single row

Principal dimensions			Basic load ratings		Fatigue load limit Pu	Speed ratings		Mass	Designation
d	D	T	dynamic	static		Reference speed	Limiting speed		
mm			kN		kN	r/min		kg	* - SKF Explorer bearing
65	120	24,75	132	134	16,3	4500	5600	1,15	30213 J2/Q *



#### Calculation factors

e 0,4  
 $\gamma 1,5$   
 $\gamma_0 0,8$