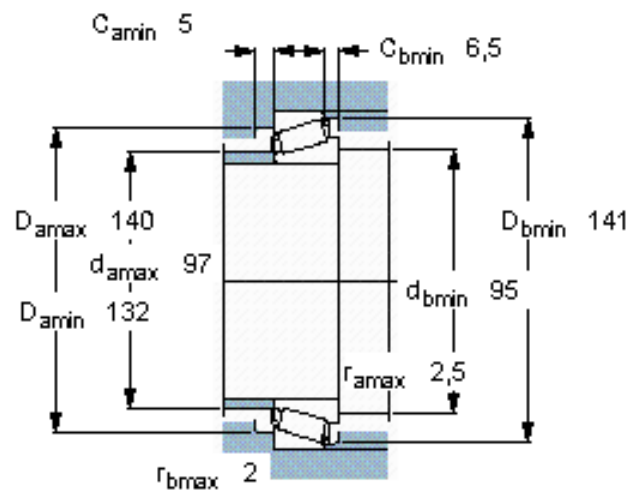
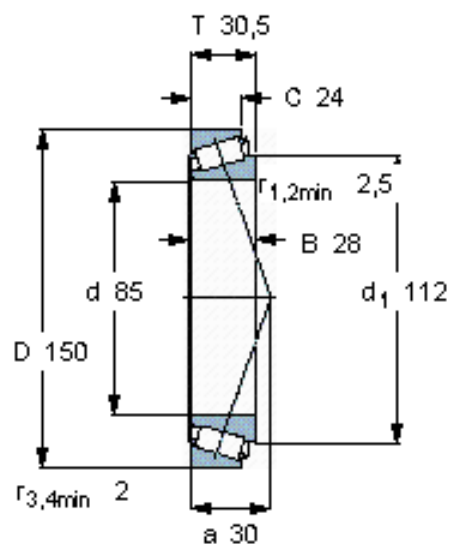


Taper roller bearings, single row

Principal dimensions			Basic load ratings		Fatigue load limit Pu	Speed ratings		Mass	Designation
d	D	T	dynamic	static		Reference speed	Limiting speed		
mm			kN		kN	r/min		kg	* - SKF Explorer bearing
85	150	30,5	176	220	25,5	3200	4300	2,05	30217 J2/Q



Calculation factors

e 0,43
 γ 1,4
 γ_0 0,8