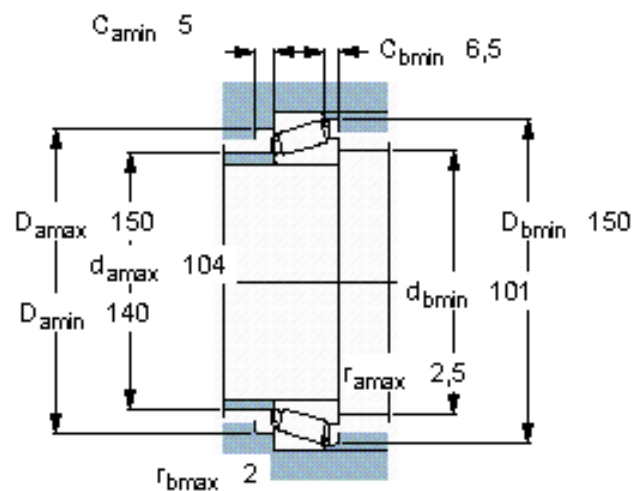
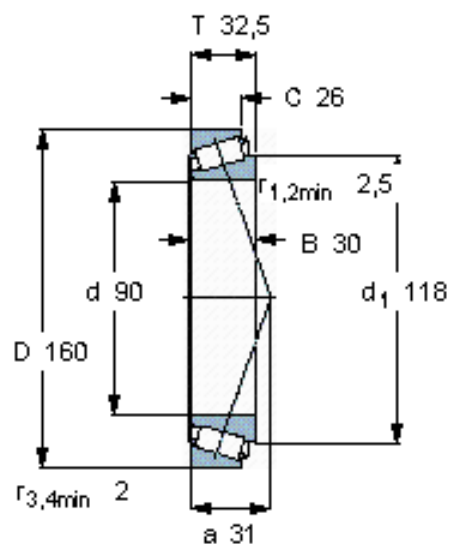


### Taper roller bearings, single row

Principal dimensions			Basic load ratings		Fatigue load limit Pu	Speed ratings		Mass	Designation
d	D	T	dynamic	static		Reference speed	Limiting speed		
mm			kN		kN	r/min		kg	* - SKF Explorer bearing
90	160	32,5	194	245	28,5	3000	4000	2,55	30218 J2



#### Calculation factors

e 0,43

Y 1,4

$Y_0 0,8$