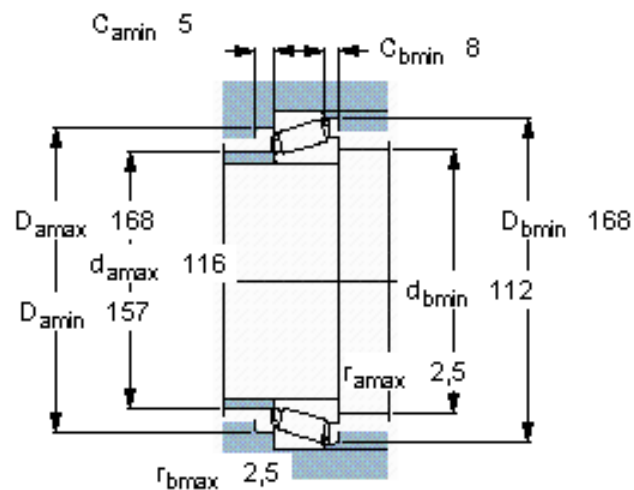
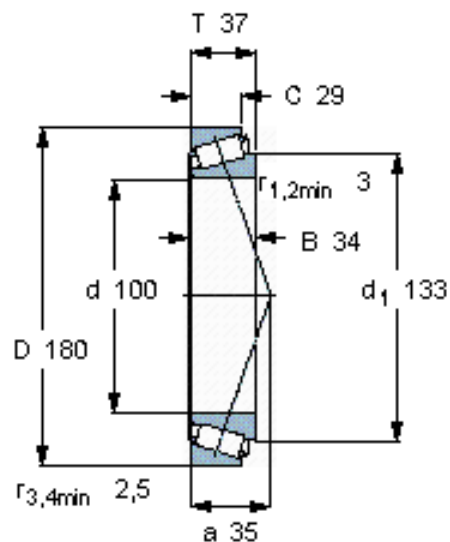


### Taper roller bearings, single row

Principal dimensions			Basic load ratings		Fatigue load limit Pu	Speed ratings		Mass	Designation
d	D	T	dynamic	static		Reference speed	Limiting speed		
mm			kN		kN	r/min		kg	* - SKF Explorer bearing
100	180	37	246	320	36	2800	3600	3,65	30220 J2



#### Calculation factors

e 0,43  
 $\gamma 1,4$   
 $\gamma_0 0,8$