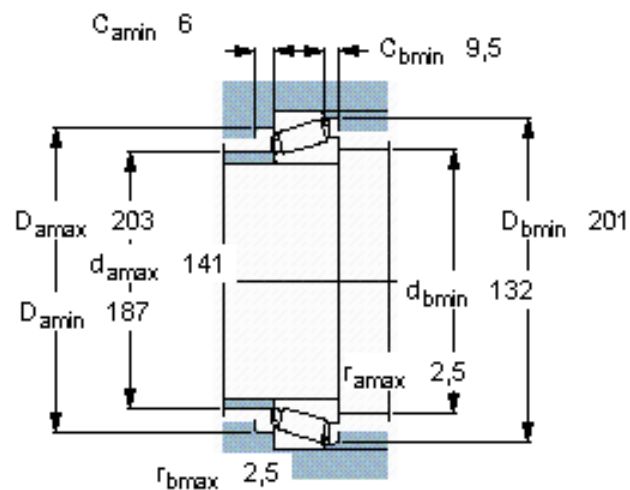
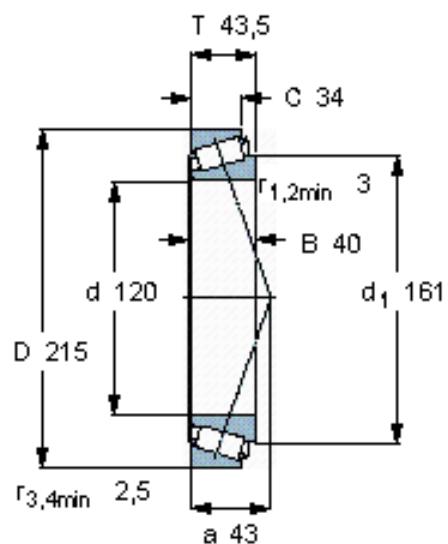


Taper roller bearings, single row

Principal dimensions			Basic load ratings		Fatigue load limit Pu	Speed ratings		Mass	Designation
d	D	T	dynamic	static		Reference speed	Limiting speed		
mm			kN	C0	kN	r/min		kg	* - SKF Explorer bearing
120	215	43,5	341	465	49	2200	3000	6,15	30224 J2



Calculation factors

e 0,43

Y 1,4

Y_0 0,8