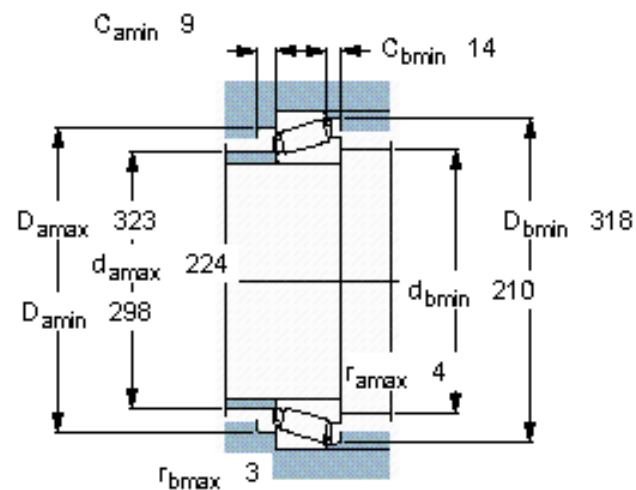
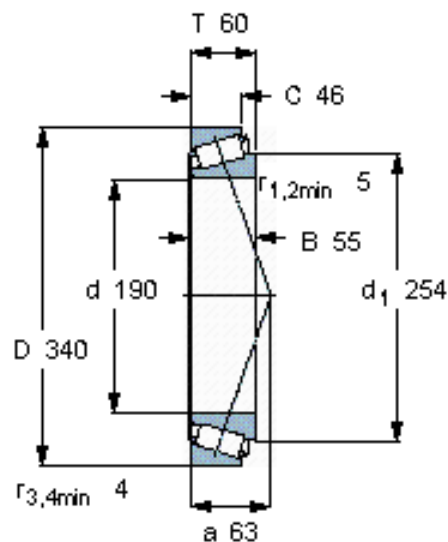


Taper roller bearings, single row

Principal dimensions			Basic load ratings		Fatigue load limit Pu	Speed ratings		Mass	Designation
d	D	T	dynamic	static		Reference speed	Limiting speed		
mm			kN		kN	r/min		kg	* - SKF Explorer bearing
190	340	60	721	1000	95	1400	1800	24,0	30238 J2



Calculation factors

e 0,43

Y 1,4

Y_0 0,8