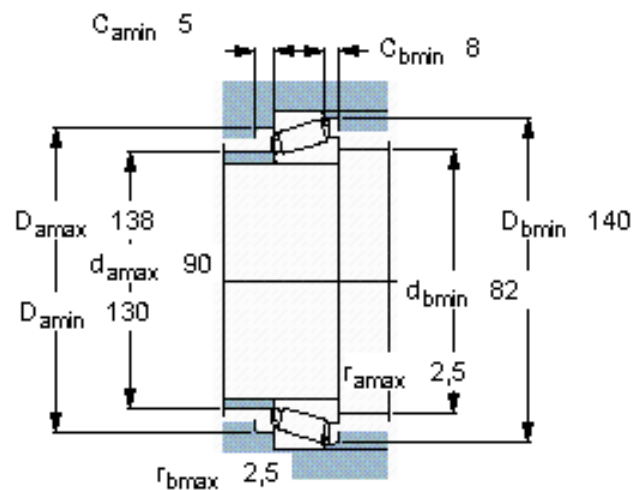
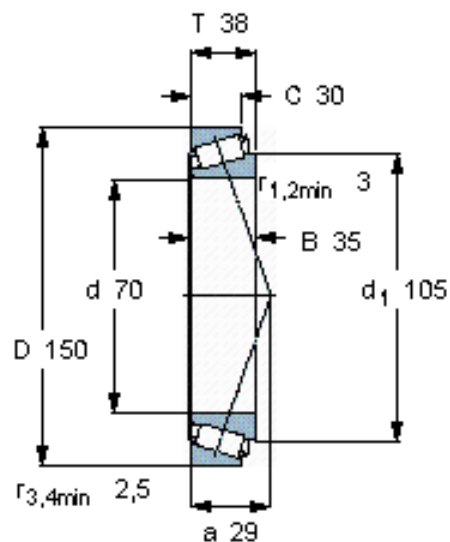


Taper roller bearings, single row

Principal dimensions			Basic load ratings		Fatigue load limit Pu	Speed ratings		Mass	Designation
d	D	T	dynamic	static		Reference speed	Limiting speed		
mm			kN		kN	r/min		kg	* - SKF Explorer bearing
70	150	38	220	260	31	3400	4500	2,90	30314 J2/Q



Calculation factors

e 0,35

Y 1,7

$Y_0 0,9$