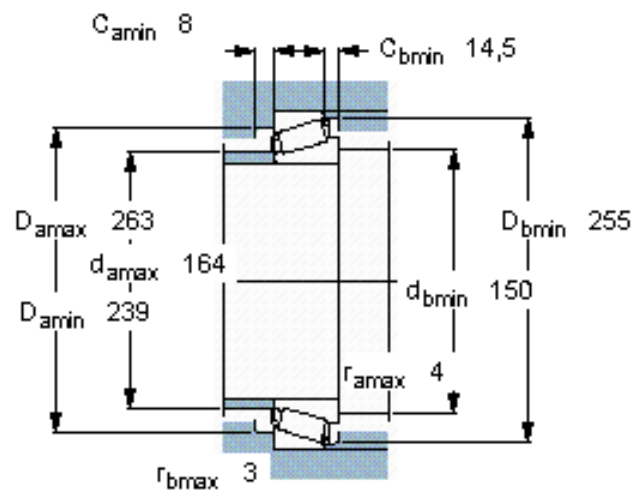
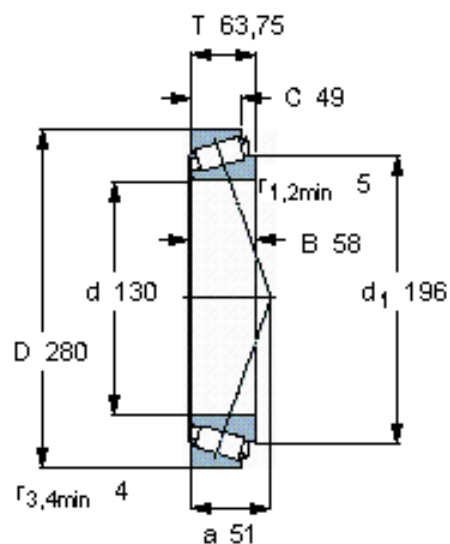


### Taper roller bearings, single row

Principal dimensions			Basic load ratings		Fatigue load limit Pu	Speed ratings		Mass	Designation
d	D	T	dynamic	static		Reference speed	Limiting speed		
mm			kN		kN	r/min		kg	* - SKF Explorer bearing
130	280	63,75	627	800	83	1800	2400	17,0	30326 J2



#### Calculation factors

$e$  0,35

$Y$  1,7

$Y_0$  0,9