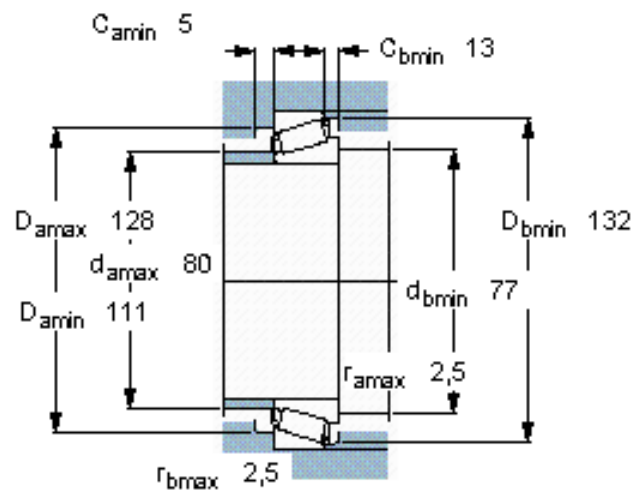
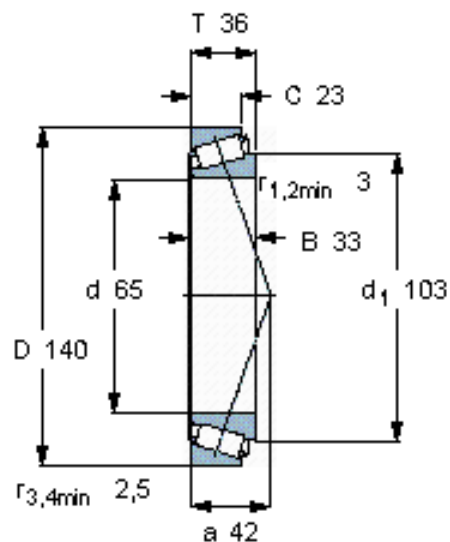


### Taper roller bearings, single row

Principal dimensions			Basic load ratings		Fatigue load limit Pu	Speed ratings		Mass	Designation
d	D	T	dynamic	static		Reference speed	Limiting speed		
mm			kN		kN	r/min		kg	* - SKF Explorer bearing
65	140	36	165	193	23,6	3200	4800	2,35	31313 J2/QCL7C



#### Calculation factors

$e = 0,83$

$Y = 0,72$

$Y_0 = 0,4$