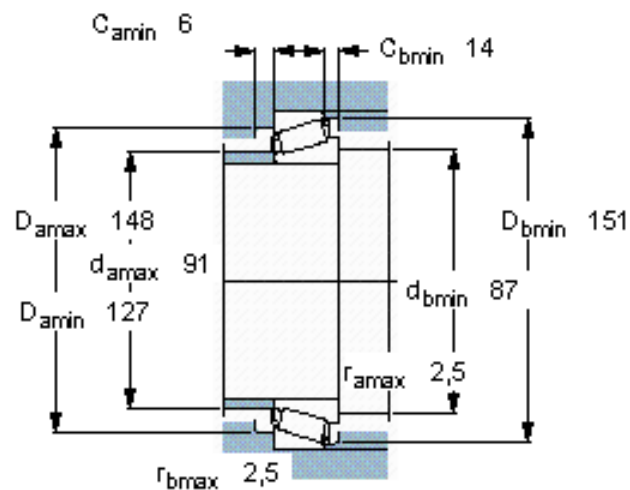
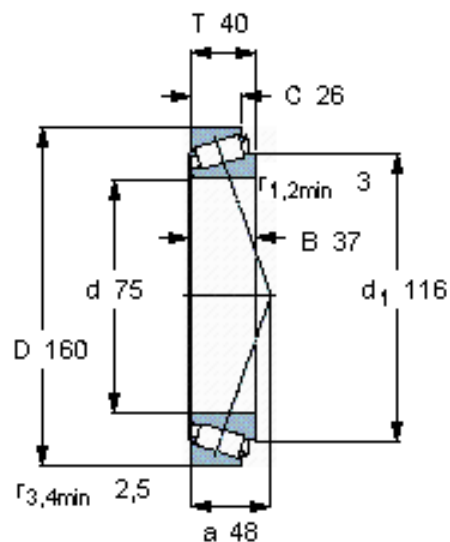


### Taper roller bearings, single row

| Principal dimensions |     |    | Basic load ratings |        | Fatigue load limit<br>Pu | Speed ratings   |                | Mass | Designation              |
|----------------------|-----|----|--------------------|--------|--------------------------|-----------------|----------------|------|--------------------------|
| d                    | D   | T  | dynamic            | static |                          | Reference speed | Limiting speed |      |                          |
| mm                   |     |    | kN                 |        | kN                       | r/min           |                | kg   | * - SKF Explorer bearing |
| 75                   | 160 | 40 | 209                | 245    | 29                       | 2800            | 4300           | 3,50 | 31315 J2/QCL7C           |



#### Calculation factors

e 0,83  
 $Y 0,72$   
 $Y_0 0,4$