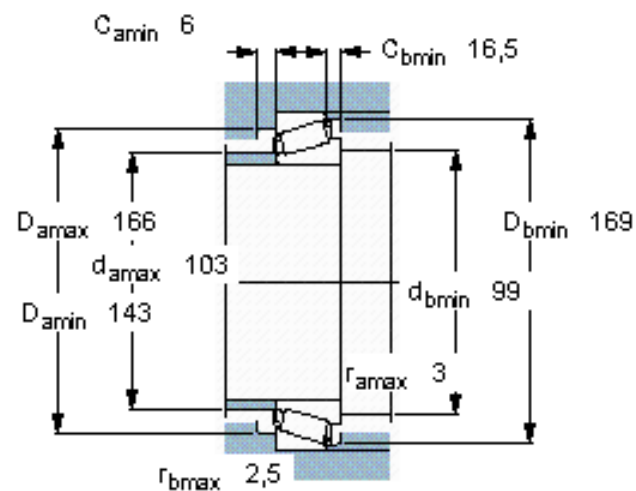
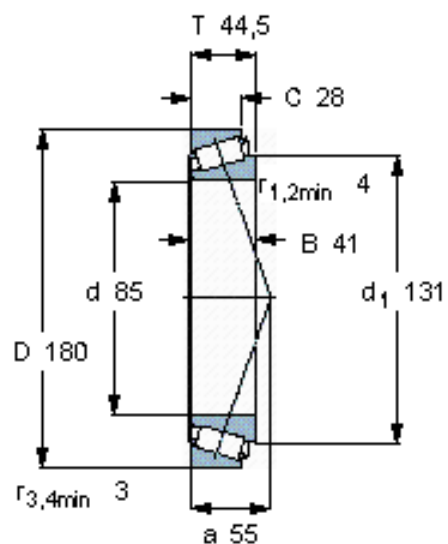


Taper roller bearings, single row

Principal dimensions			Basic load ratings		Fatigue load limit Pu	Speed ratings		Mass	Designation
d	D	T	dynamic	static		Reference speed	Limiting speed		
mm			kN		kN	r/min		kg	* - SKF Explorer bearing
85	180	44,5	242	285	33,5	2600	3800	4,60	31317 J2



Calculation factors

e 0,83

Y 0,72

Y_0 0,4