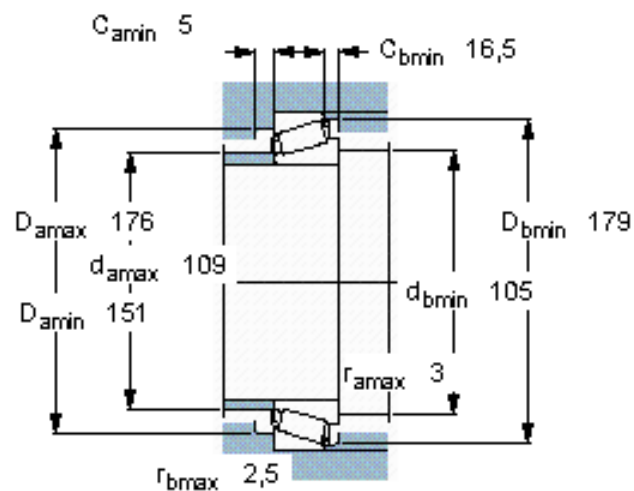
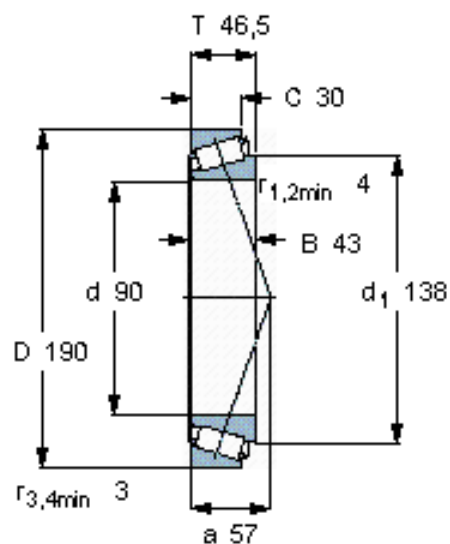


### Taper roller bearings, single row

Principal dimensions			Basic load ratings		Fatigue load limit Pu	Speed ratings		Mass	Designation
d	D	T	dynamic	static		Reference speed	Limiting speed		
mm			kN		kN	r/min		kg	* - SKF Explorer bearing
90	190	46,5	264	315	36,5	2400	3400	5,90	31318 J2



#### Calculation factors

e 0,83  
 $\gamma$  0,72  
 $\gamma_0$  0,4