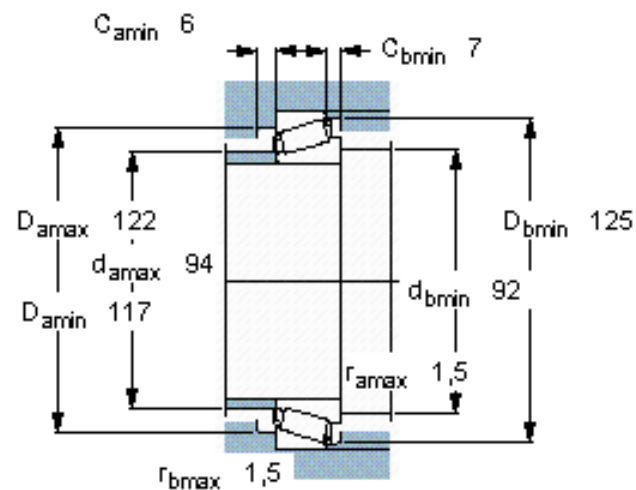
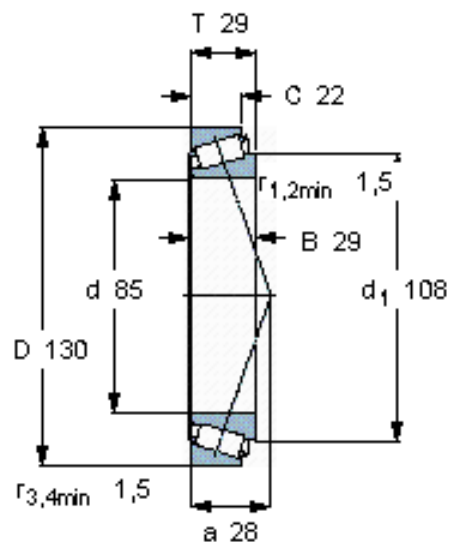


Taper roller bearings, single row

| Principal dimensions | | | Basic load ratings | | Fatigue load limit Pu | Speed ratings | | Mass | Designation |
|----------------------|-----|----|--------------------|--------|--------------------------|-----------------|----------------|------|--------------------------|
| d | D | T | dynamic | static | | Reference speed | Limiting speed | | |
| mm | | | kN | | kN | r/min | | kg | * - SKF Explorer bearing |
| 85 | 130 | 29 | 140 | 224 | 25,5 | 3400 | 4800 | 1,35 | 32017 X/Q |



Calculation factors

e 0,44

Y 1,35

$Y_0 0,8$