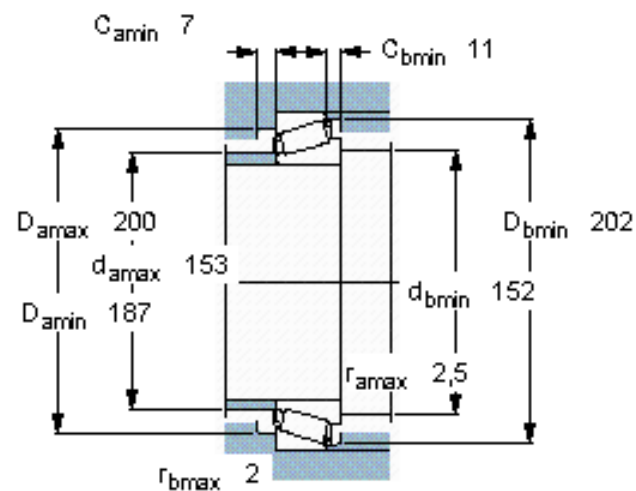
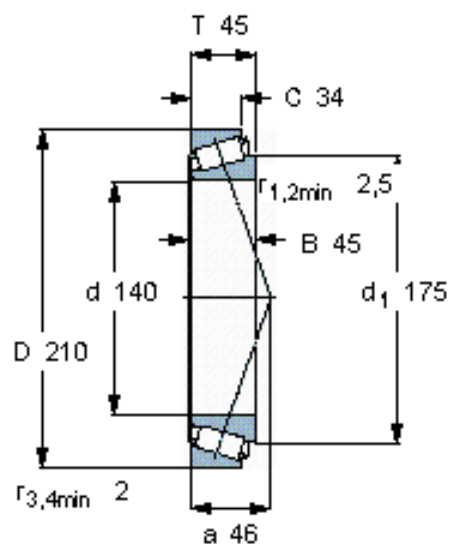


Taper roller bearings, single row

Principal dimensions			Basic load ratings		Fatigue load limit Pu	Speed ratings		Mass	Designation
d	D	T	dynamic	static		Reference speed	Limiting speed		
mm			kN	C0	kN	r/min		kg	* - SKF Explorer bearing
140	210	45	330	585	58,5	2200	2800	5,25	32028 X



Calculation factors

e 0,46

Y 1,3

$Y_0 0,7$