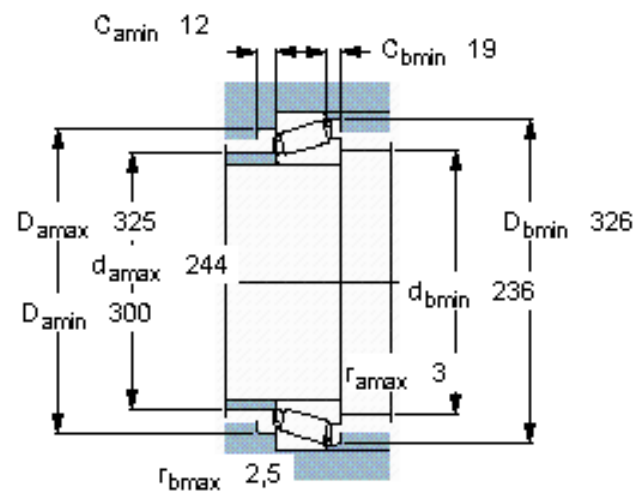
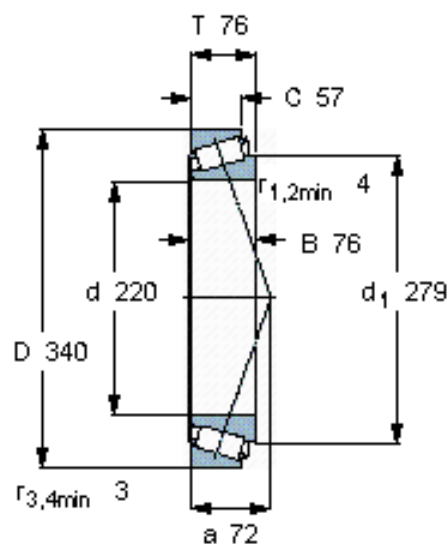


Taper roller bearings, single row

Principal dimensions			Basic load ratings		Fatigue load limit Pu	Speed ratings		Mass	Designation
d	D	T	dynamic	static		Reference speed	Limiting speed		
mm			kN		kN	r/min		kg	* - SKF Explorer bearing
220	340	76	897	1660	150	1300	1700	25,5	32044 X



Calculation factors

e 0,43

Y 1,4

Y_0 0,8