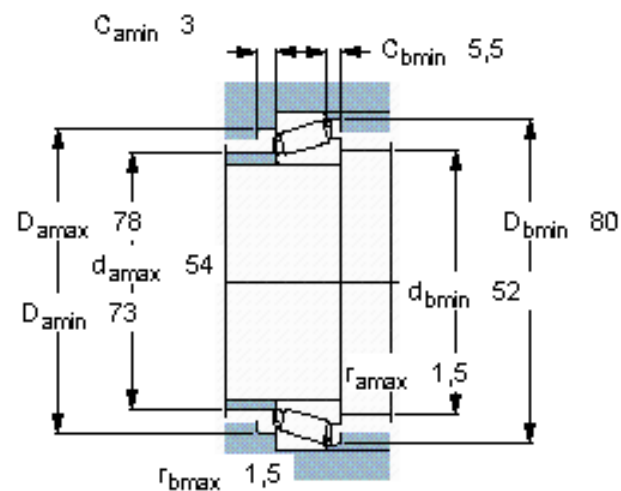
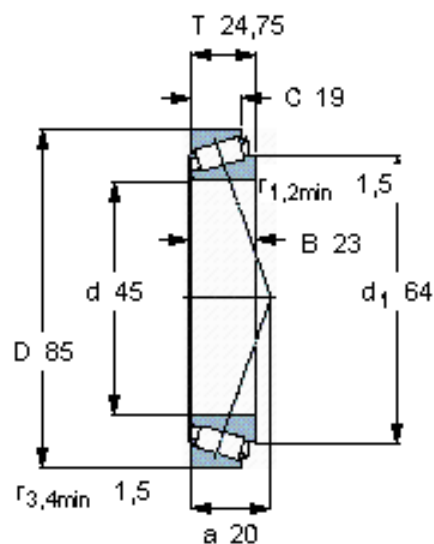


Taper roller bearings, single row

| Principal dimensions | | | Basic load ratings | | Fatigue load limit Pu | Speed ratings | | Mass | Designation |
|----------------------|----|-------|--------------------|--------|--------------------------|-----------------|----------------|------|--------------------------|
| d | D | T | dynamic | static | | Reference speed | Limiting speed | | |
| mm | | | kN | | kN | r/min | | kg | * - SKF Explorer bearing |
| 45 | 85 | 24,75 | 91,5 | 98 | 11 | 6300 | 8000 | 0,58 | 32209 J2/Q * |



Calculation factors

e 0,4
 γ 1,5
 γ_0 0,8