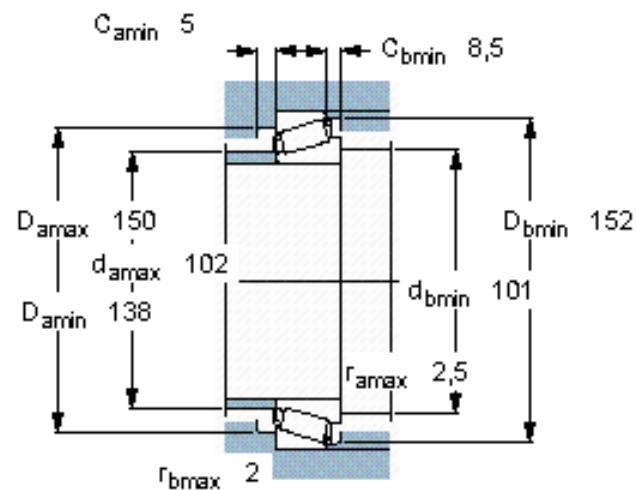
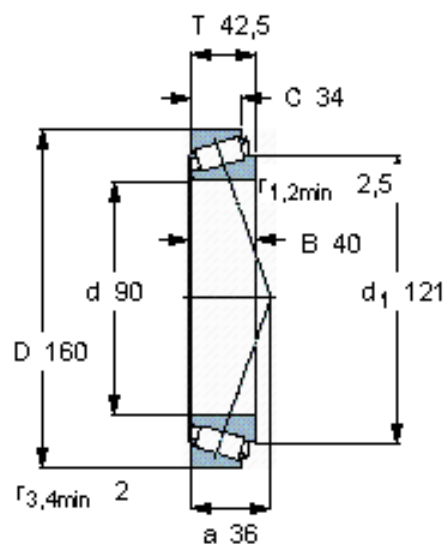


### Taper roller bearings, single row

Principal dimensions			Basic load ratings		Fatigue load limit Pu	Speed ratings		Mass	Designation
d	D	T	dynamic	static		Reference speed	Limiting speed		
mm			kN		kN	r/min		kg	* - SKF Explorer bearing
90	160	42,5	251	340	38	3000	4000	3,35	32218 J2/Q



#### Calculation factors

e 0,43

Y 1,4

$Y_0$  0,8