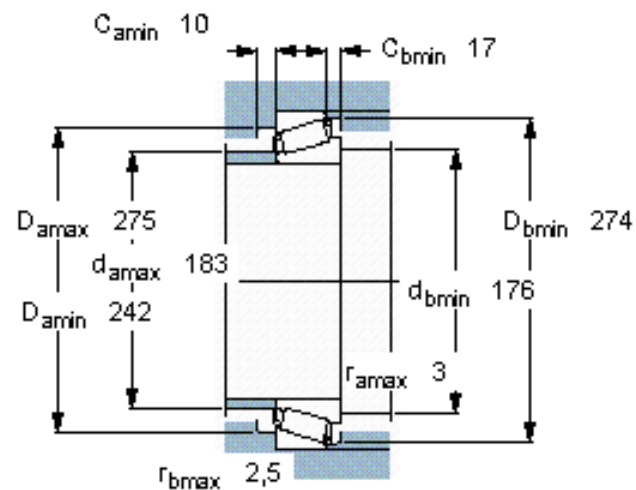
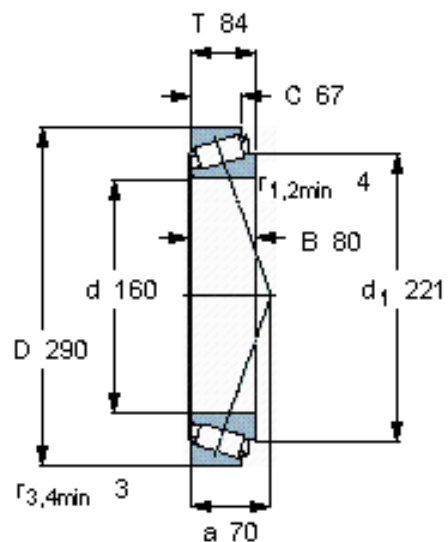


Taper roller bearings, single row

Principal dimensions			Basic load ratings		Fatigue load limit Pu	Speed ratings		Mass	Designation
d	D	T	dynamic	static		Reference speed	Limiting speed		
mm			kN		kN	r/min		kg	* - SKF Explorer bearing
160	290	84	880	1400	132	1600	2200	25,5	32232 J2



Calculation factors

e 0,43
 γ 1,4
 γ_0 0,8