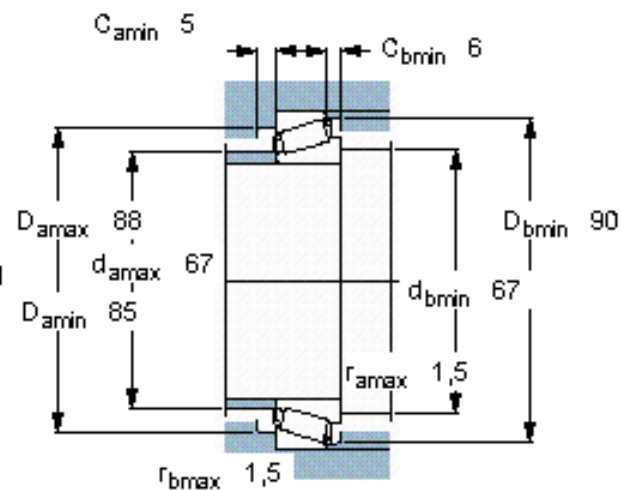
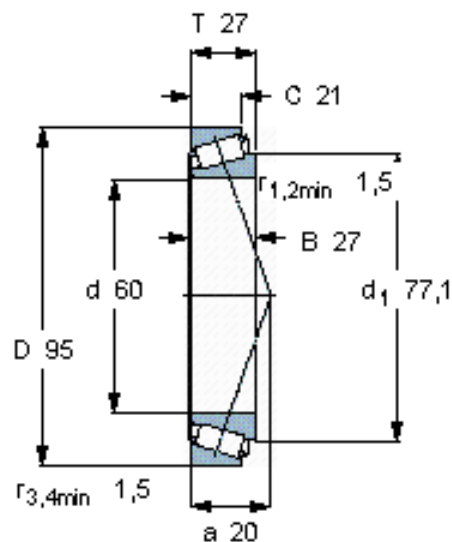


Taper roller bearings, single row

| Principal dimensions | | | Basic load ratings | | Fatigue load limit Pu | Speed ratings | | Mass | Designation |
|----------------------|----|----|--------------------|--------|--------------------------|-----------------|----------------|------|--------------------------|
| d | D | T | dynamic | static | | Reference speed | Limiting speed | | |
| mm | | | kN | | kN | r/min | | kg | * - SKF Explorer bearing |
| 60 | 95 | 27 | 106 | 143 | 16 | 5300 | 6700 | 0,71 | 33012/Q * |



Calculation factors

e 0,33

Y 1,8

Y₀ 1