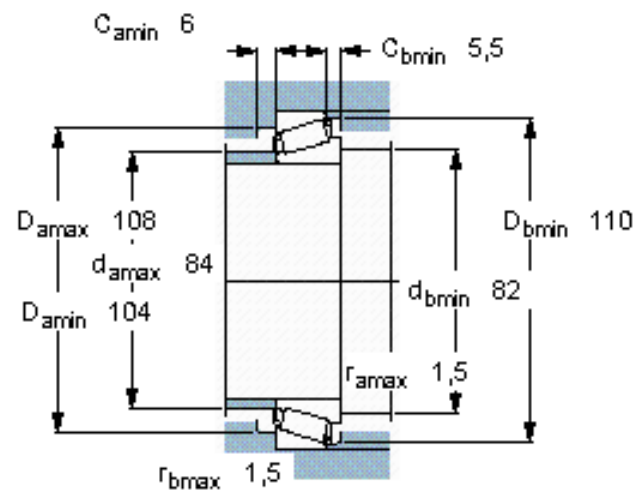
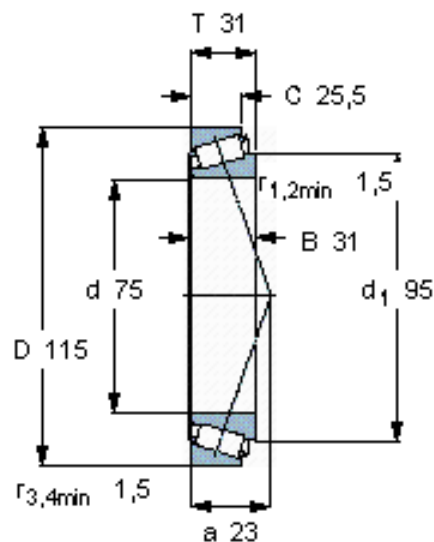


Taper roller bearings, single row

Principal dimensions			Basic load ratings		Fatigue load limit Pu	Speed ratings		Mass	Designation
d	D	T	dynamic	static		Reference speed	Limiting speed		
mm			kN		kN	r/min		kg	* - SKF Explorer bearing
75	115	31	134	228	26	4000	5300	1,15	33015/Q



Calculation factors

e 0,3
 γ 2
 γ_0 1,1