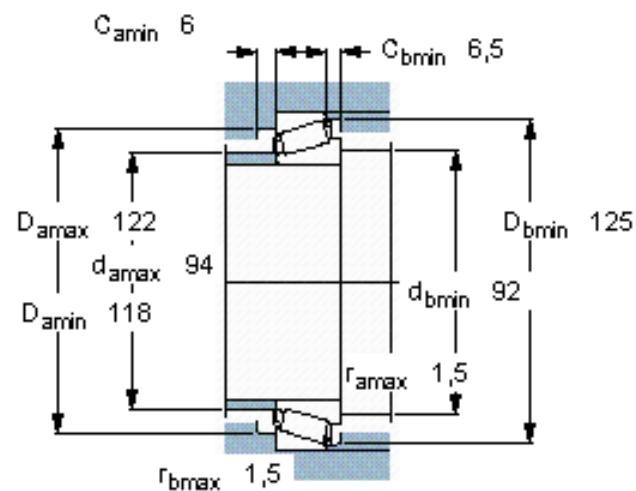
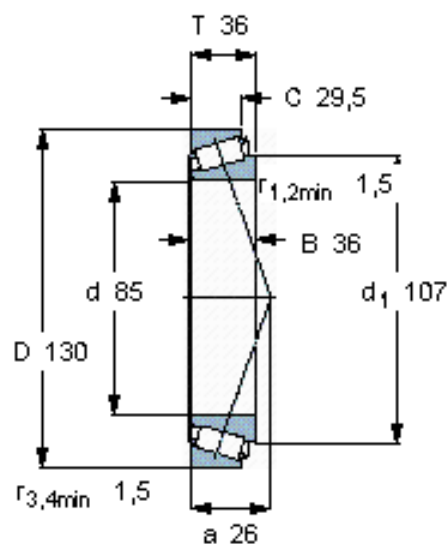


### Taper roller bearings, single row

Principal dimensions			Basic load ratings		Fatigue load limit Pu	Speed ratings		Mass	Designation
d	D	T	dynamic	static		Reference speed	Limiting speed		
mm			kN		kN	r/min		kg	* - SKF Explorer bearing
85	130	36	183	310	34,5	3600	4800	1,75	33017/Q



#### Calculation factors

e 0,3  
 $\gamma$  2  
 $\gamma_0$  1,1