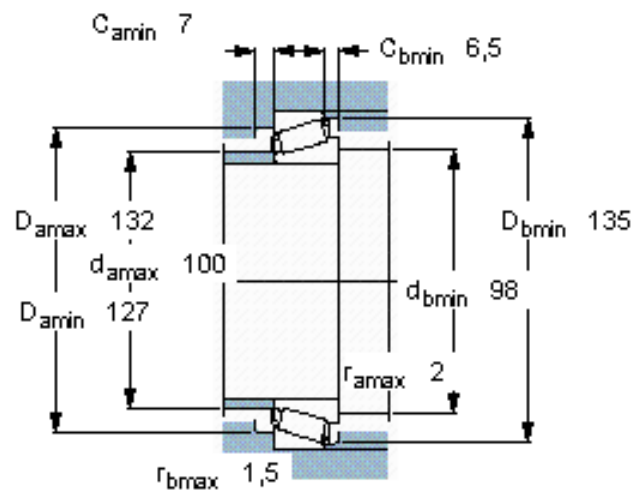
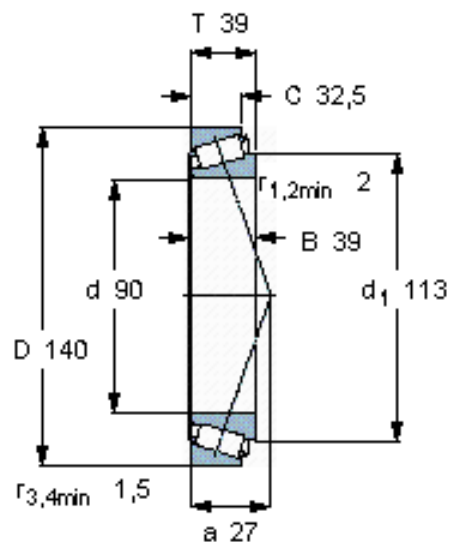


Taper roller bearings, single row

| Principal dimensions | | | Basic load ratings | | Fatigue load limit Pu | Speed ratings | | Mass | Designation |
|----------------------|-----|----|--------------------|--------|--------------------------|-----------------|----------------|------|--------------------------|
| d | D | T | dynamic | static | | Reference speed | Limiting speed | | |
| mm | | | kN | | kN | r/min | | kg | * - SKF Explorer bearing |
| 90 | 140 | 39 | 216 | 355 | 39 | 3200 | 4500 | 2,20 | 33018/Q |



Calculation factors

e 0,27

Y 2,2

$Y_0 1,3$