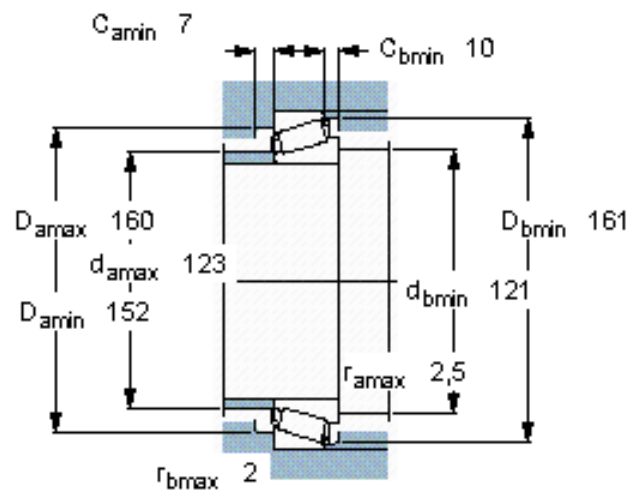
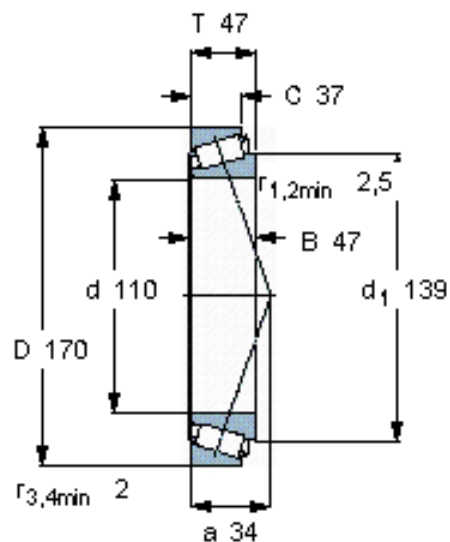


### Taper roller bearings, single row

Principal dimensions			Basic load ratings		Fatigue load limit Pu	Speed ratings		Mass	Designation
d	D	T	dynamic	static		Reference speed	Limiting speed		
mm			kN		kN	r/min		kg	* - SKF Explorer bearing
110	170	47	281	500	53	2600	3600	3,85	33022



#### Calculation factors

e 0,28

Y 2,1

Y<sub>0</sub> 1,1