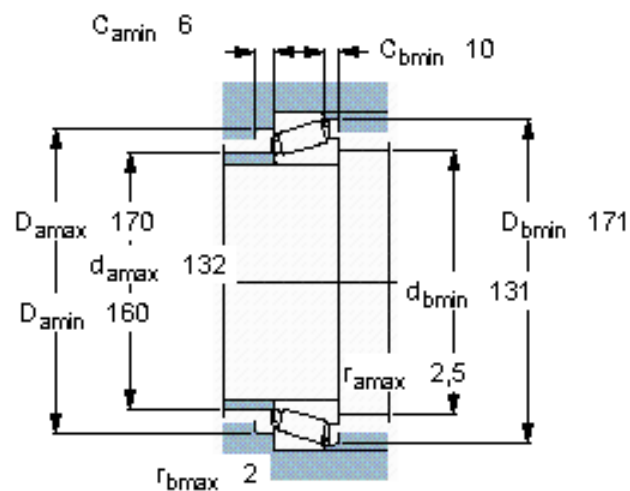
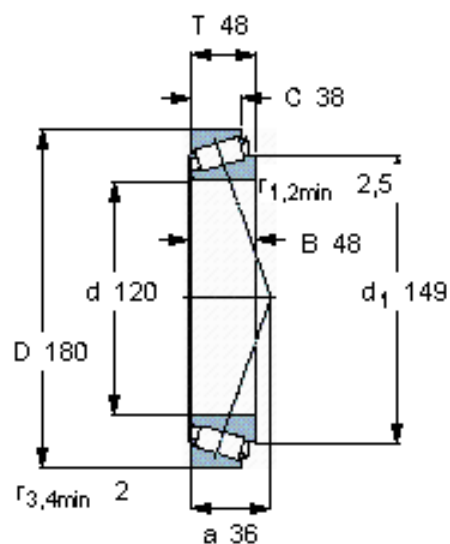


Taper roller bearings, single row

Principal dimensions			Basic load ratings		Fatigue load limit Pu	Speed ratings		Mass	Designation
d	D	T	dynamic	static		Reference speed	Limiting speed		
mm			kN		kN	r/min		kg	* - SKF Explorer bearing
120	180	48	292	540	56	2600	3400	4,20	33024



Calculation factors

e 0,3
Y 2
Y₀ 1,1