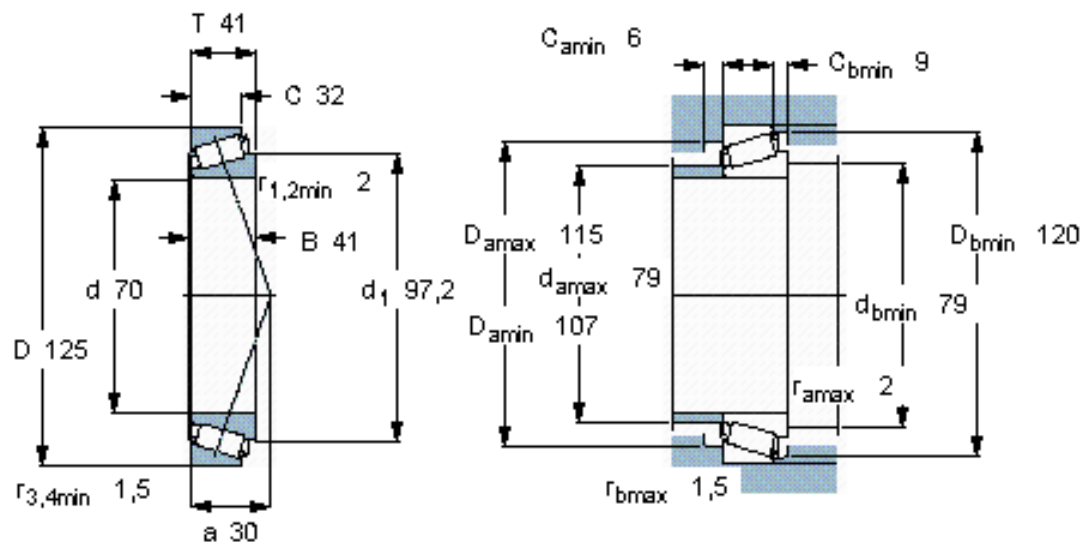


### Taper roller bearings, single row

Principal dimensions			Basic load ratings		Fatigue load limit Pu	Speed ratings		Mass	Designation
d	D	T	dynamic	static		Reference speed	Limiting speed		
mm			kN		kN	r/min		kg	* - SKF Explorer bearing
70	125	41	201	285	32,5	3600	5000	2,10	33214/Q



#### Calculation factors

$e$  0,4  
 $Y$  1,5  
 $Y_0$  0,8