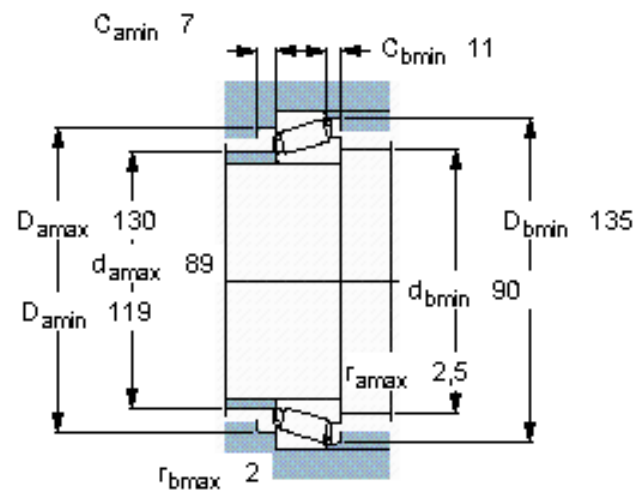
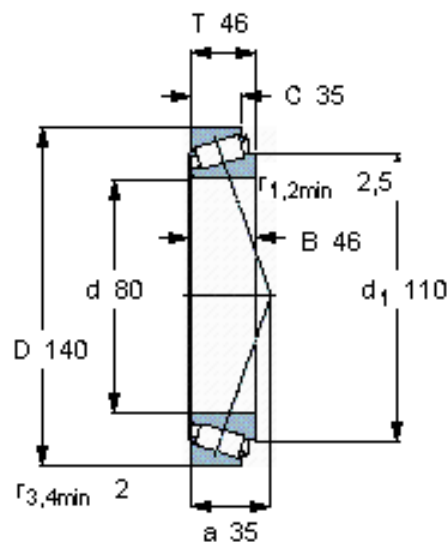


Taper roller bearings, single row

Principal dimensions			Basic load ratings		Fatigue load limit Pu	Speed ratings		Mass	Designation
d	D	T	dynamic	static		Reference speed	Limiting speed		
mm			kN	C0	kN	r/min		kg	* - SKF Explorer bearing
80	140	46	251	375	41,5	3200	4500	2,90	33216/Q



Calculation factors

e 0,43

Y 1,4

Y₀ 0,8