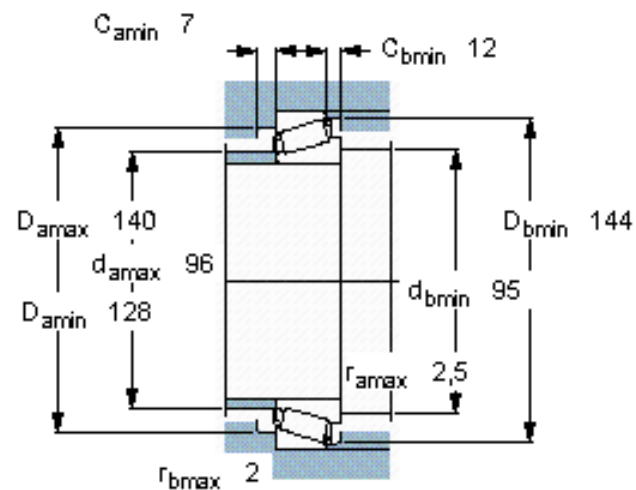
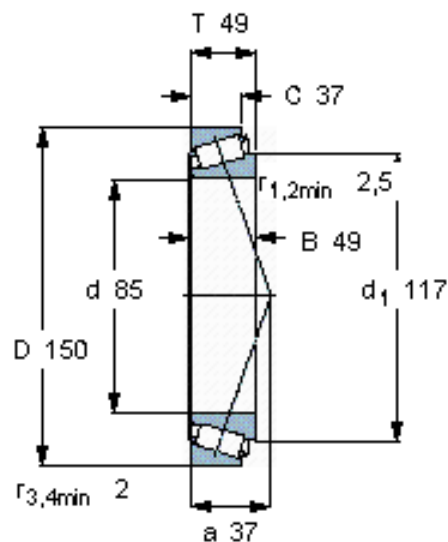


Taper roller bearings, single row

Principal dimensions			Basic load ratings		Fatigue load limit Pu	Speed ratings		Mass	Designation
d	D	T	dynamic	static		Reference speed	Limiting speed		
mm			kN		kN	r/min		kg	* - SKF Explorer bearing
85	150	49	286	430	48	3000	4300	3,70	33217/Q



Calculation factors

e 0,43

Y 1,4

Y₀ 0,8