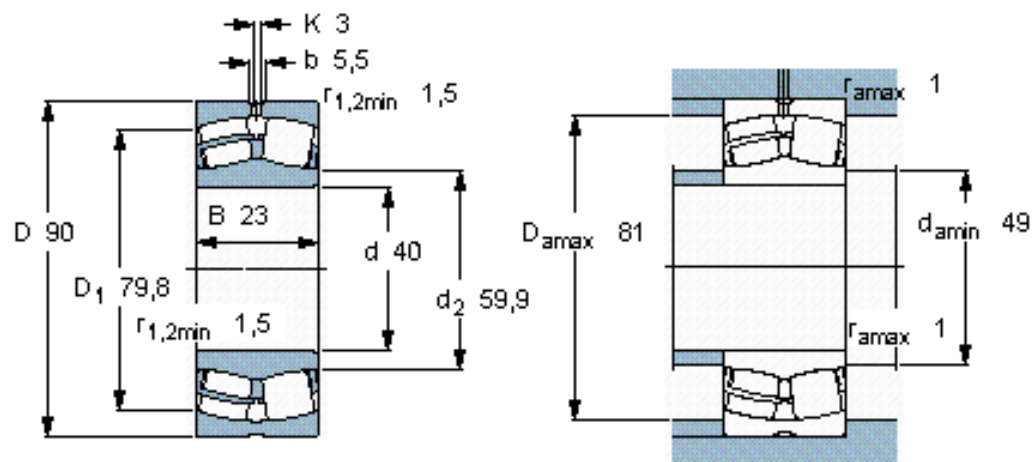


Spherical roller bearings, cylindrical and tapered bore

Principal dimensions			Basic load ratings		Fatigue load limit Pu	Speed ratings		Mass	Designation
d	D	B	dynamic	static		Reference speed	Limiting speed		
mm			kN	C0	kN	r/min	kg		* - SKF Explorer bearing
40	90	23	104	108	11,8	7000	9500	0,75	21308 E *



Calculation factors

$e = 0,24$
 $Y_1 = 2,8$
 $Y_2 = 4,2$
 $Y_0 = 2,8$