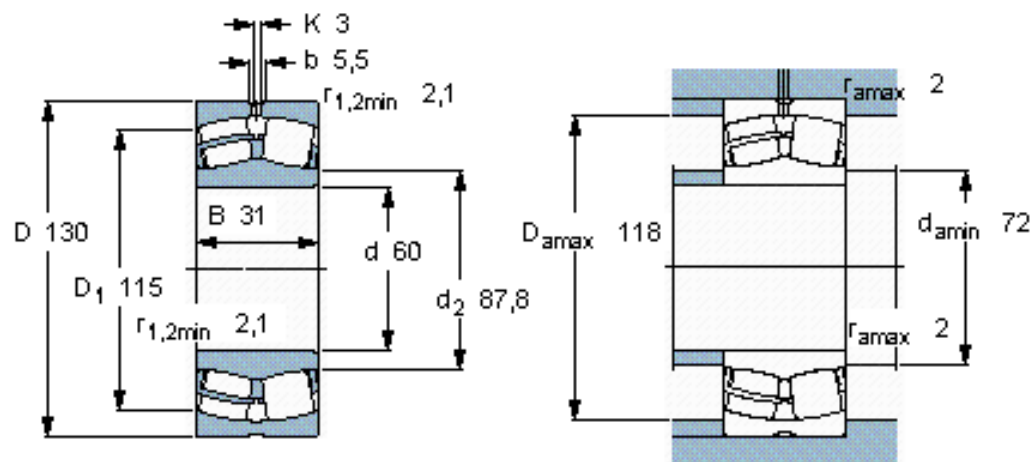


Spherical roller bearings, cylindrical and tapered bore

Principal dimensions			Basic load ratings		Fatigue load limit Pu	Speed ratings		Mass	Designation
d	D	B	dynamic	static		Reference speed	Limiting speed		
mm			kN	C0	kN	r/min	kg		* - SKF Explorer bearing
60	130	31	212	240	26,5	4800	6300	2,10	21312 E *



Calculation factors

e 0,22
 Y_1 3
 Y_2 4,6
 Y_0 2,8