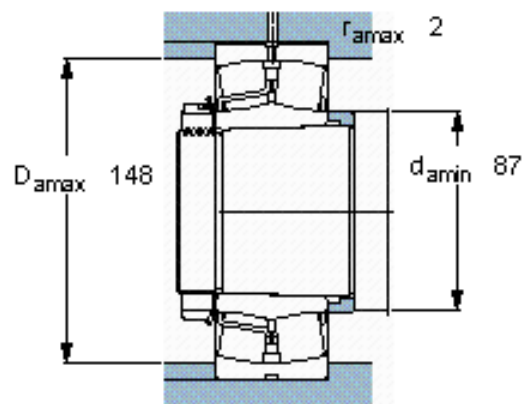
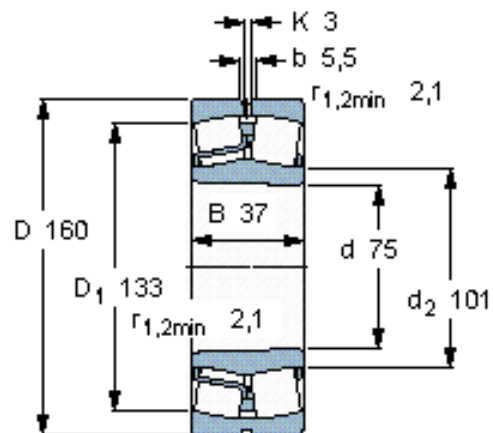


Spherical roller bearings, cylindrical and tapered bore

Principal dimensions			Basic load ratings		Fatigue load limit Pu	Speed ratings		Mass	Designation
d	D	B	dynamic	static		Reference speed	Limiting speed		
mm			kN		kN	r/min		kg	-
75	160	37	285	325	34,5	4000	5600	3,70	21315 EK *



Calculation factors

e 0,22
 Y₁ 3
 Y₂ 4,6
 Y₀ 2,8