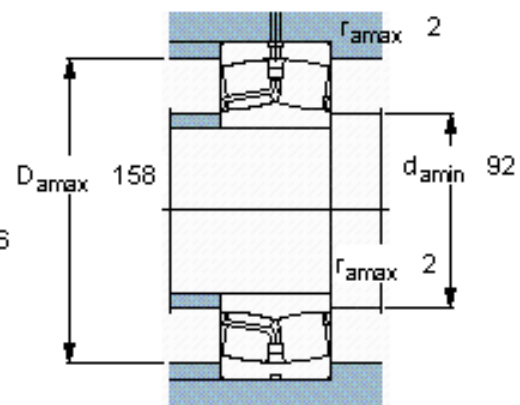
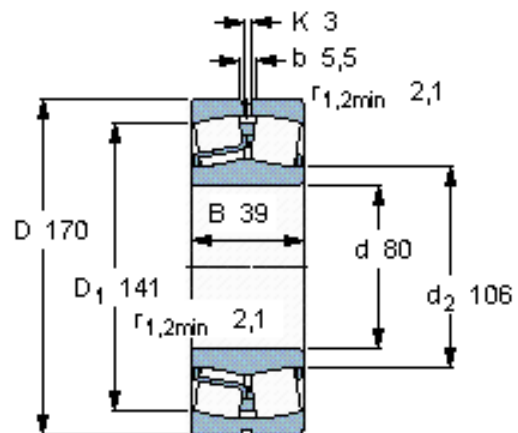


### Spherical roller bearings, cylindrical and tapered bore

Principal dimensions			Basic load ratings		Fatigue load limit Pu	Speed ratings		Mass kg	Designation
d	D	B	dynamic	static		Reference speed	Limiting speed		
mm			kN	C0	kN	r/min			* - SKF Explorer bearing
80	170	39	325	375	39	3800	5300	4,45	21316 E *



#### Calculation factors

$e$  0,24  
 $Y_1$  2,8  
 $Y_2$  4,2  
 $Y_0$  2,8