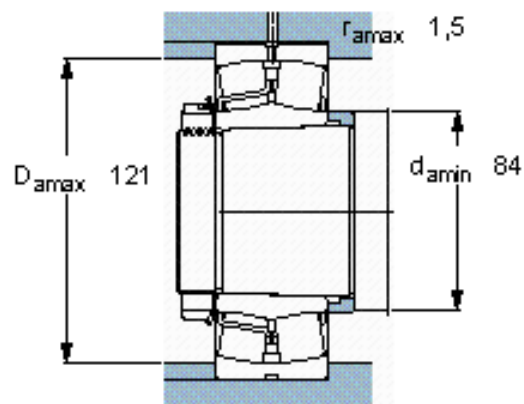
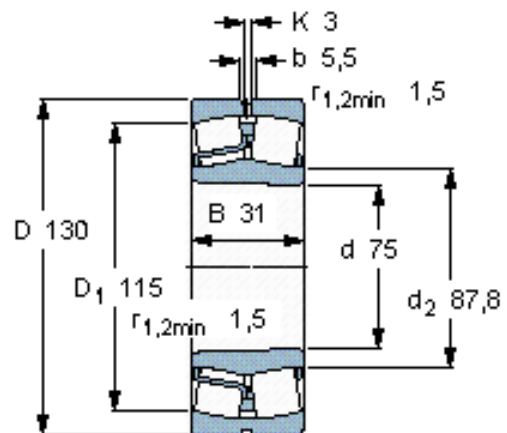


Spherical roller bearings, cylindrical and tapered bore

| Principal dimensions | | | Basic load ratings | | Fatigue load limit Pu | Speed ratings | | Mass | Designation |
|----------------------|-----|----|--------------------|--------|--------------------------|-----------------|----------------|------|-------------|
| d | D | B | dynamic | static | | Reference speed | Limiting speed | | |
| mm | | | kN | | kN | r/min | | kg | - |
| 75 | 130 | 31 | 212 | 240 | 26,5 | 4800 | 6300 | 1,65 | 22215 EK * |



Calculation factors

e 0,22
 Y_1 3
 Y_2 4,6
 Y_0 2,8