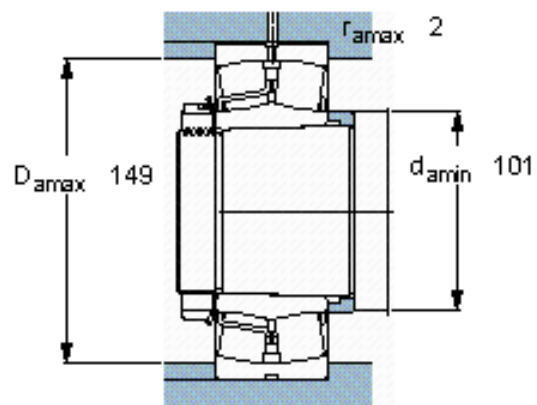
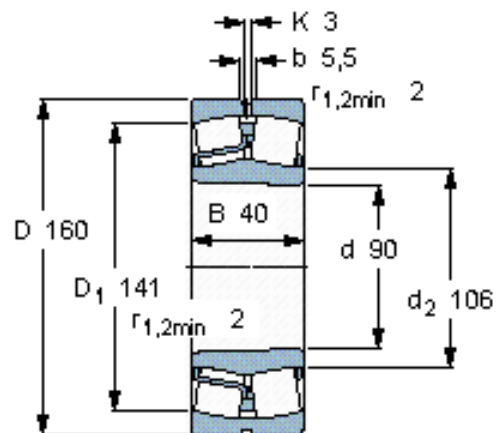


### Spherical roller bearings, cylindrical and tapered bore

Principal dimensions			Basic load ratings		Fatigue load limit Pu	Speed ratings		Mass	Designation
d	D	B	dynamic	static		Reference speed	Limiting speed		
mm			kN		kN	r/min		kg	-
90	160	40	325	375	39	3800	5300	3,35	22218 EK *



#### Calculation factors

$e = 0,24$   
 $Y_1 = 2,8$   
 $Y_2 = 4,2$   
 $Y_0 = 2,8$