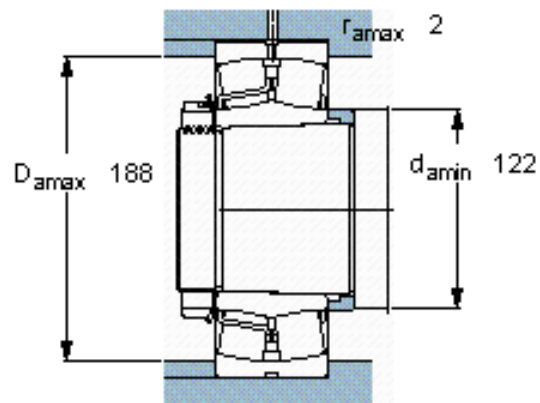
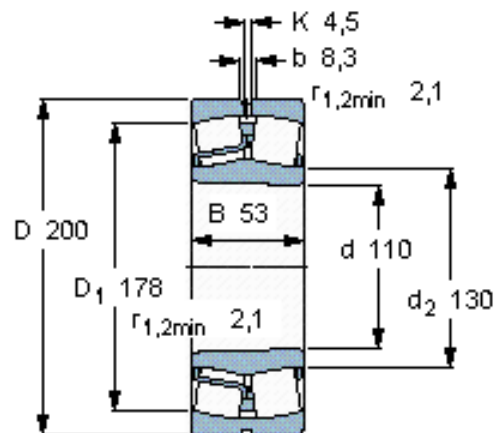


Spherical roller bearings, cylindrical and tapered bore

| Principal dimensions | | | Basic load ratings | | Fatigue load limit Pu | Speed ratings | | Mass | Designation |
|----------------------|-----|----|--------------------|--------|--------------------------|-----------------|----------------|------|-------------|
| d | D | B | dynamic | static | | Reference speed | Limiting speed | | |
| mm | | | kN | | kN | r/min | | kg | - |
| 110 | 200 | 53 | 560 | 640 | 63 | 3000 | 4000 | 6,85 | 22222 EK * |



Calculation factors

e 0,25
 Y_1 2,7
 Y_2 4
 Y_0 2,5