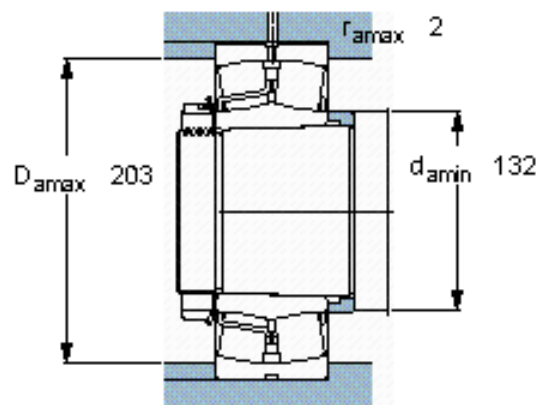
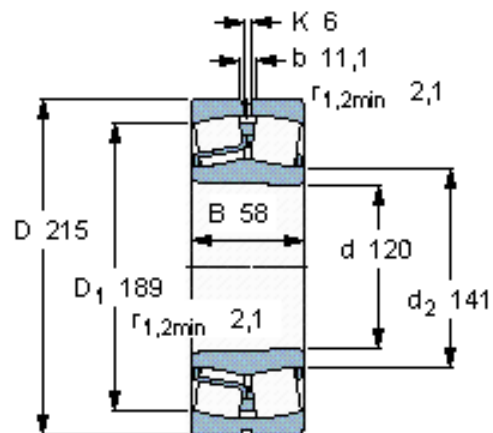


### Spherical roller bearings, cylindrical and tapered bore

Principal dimensions			Basic load ratings		Fatigue load limit Pu	Speed ratings		Mass kg	Designation
d	D	B	dynamic	static		Reference speed	Limiting speed		
mm			kN	C0	kN	r/min			* - SKF Explorer bearing
120	215	58	630	765	73,5	2800	3800	8,50	22224 EK *



#### Calculation factors

$e$  0,26  
 $Y_1$  2,6  
 $Y_2$  3,9  
 $Y_0$  2,5