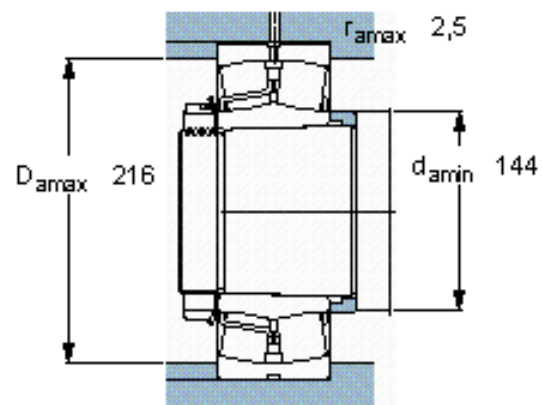
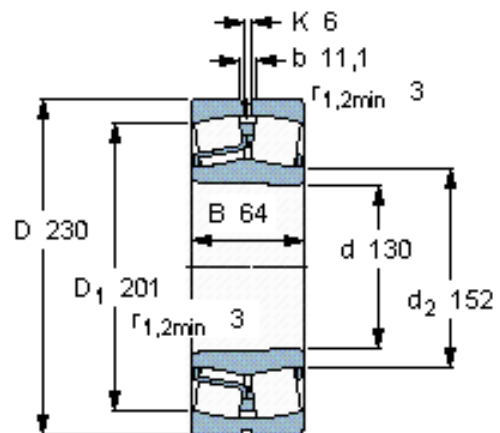


Spherical roller bearings, cylindrical and tapered bore

| Principal dimensions | | | Basic load ratings | | Fatigue load limit Pu | Speed ratings | | Mass | Designation |
|----------------------|-----|----|--------------------|--------|--------------------------|-----------------|----------------|------|-------------|
| d | D | B | dynamic | static | | Reference speed | Limiting speed | | |
| mm | | | kN | | kN | r/min | | kg | - |
| 130 | 230 | 64 | 735 | 930 | 88 | 2600 | 3600 | 10,7 | 22226 EK * |



Calculation factors

e 0,27
 Y_1 2,5
 Y_2 3,7
 Y_0 2,5