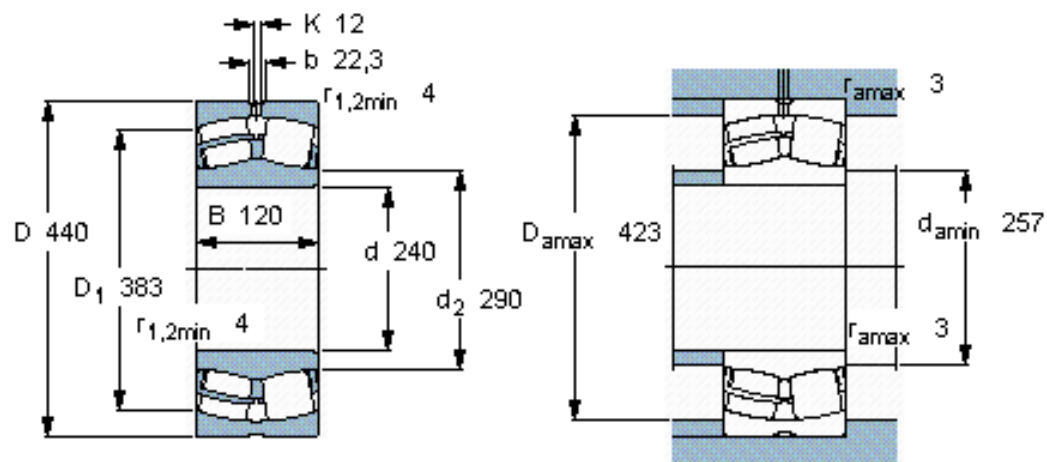


### Spherical roller bearings, cylindrical and tapered bore

Principal dimensions			Basic load ratings		Fatigue load limit Pu	Speed ratings		Mass	Designation
d	D	B	dynamic	static		Reference speed	Limiting speed		
mm			kN		kN	r/min		kg	* - SKF Explorer bearing
240	440	120	2200	3000	245	1300	1800	83,0	22248 CC/W33 *



#### Calculation factors

$e = 0,27$   
 $Y_1 = 2,5$   
 $Y_2 = 3,7$   
 $Y_0 = 2,5$