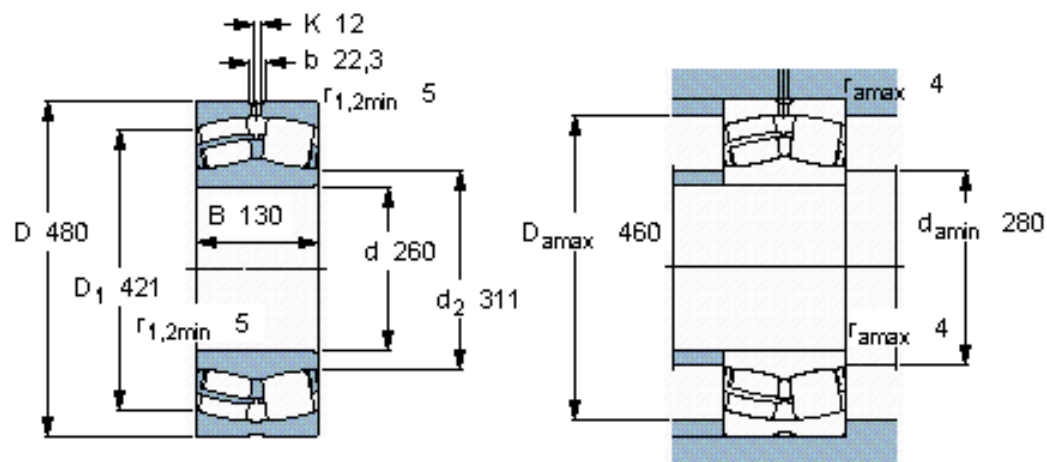


Spherical roller bearings, cylindrical and tapered bore

Principal dimensions			Basic load ratings		Fatigue load limit Pu	Speed ratings		Mass kg	Designation
d	D	B	dynamic	static		Reference speed	Limiting speed		
mm			kN	C0	kN	r/min			* - SKF Explorer bearing
260	480	130	2650	3550	285	1200	1600	110	22252 CC/W33 *



Calculation factors

e 0,27
 Y_1 2,5
 Y_2 3,7
 Y_0 2,5