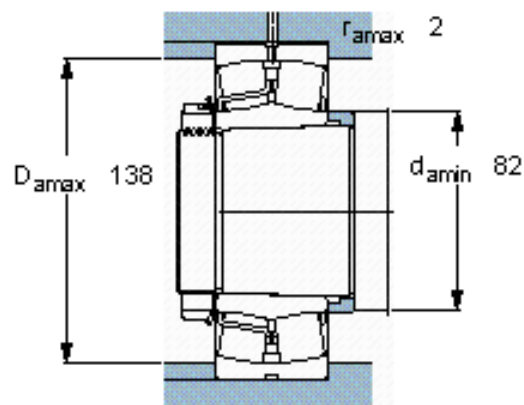
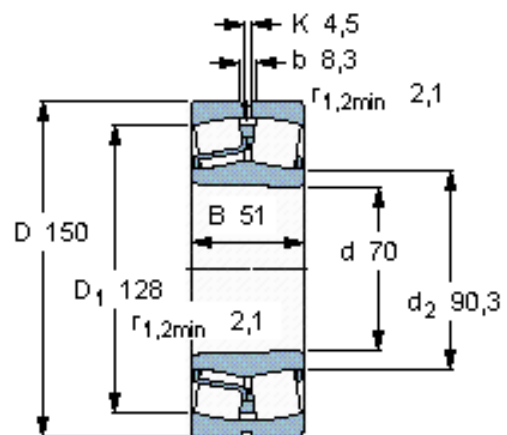


Spherical roller bearings, cylindrical and tapered bore

Principal dimensions			Basic load ratings		Fatigue load limit Pu	Speed ratings		Mass kg	Designation
d	D	B	dynamic	static		Reference speed	Limiting speed		
mm			kN		kN	r/min			* - SKF Explorer bearing
70	150	51	400	430	45	3400	4500	4,45	22314 EK *



Calculation factors

$e = 0,33$
 $Y_1 = 2$
 $Y_2 = 3$
 $Y_0 = 2$