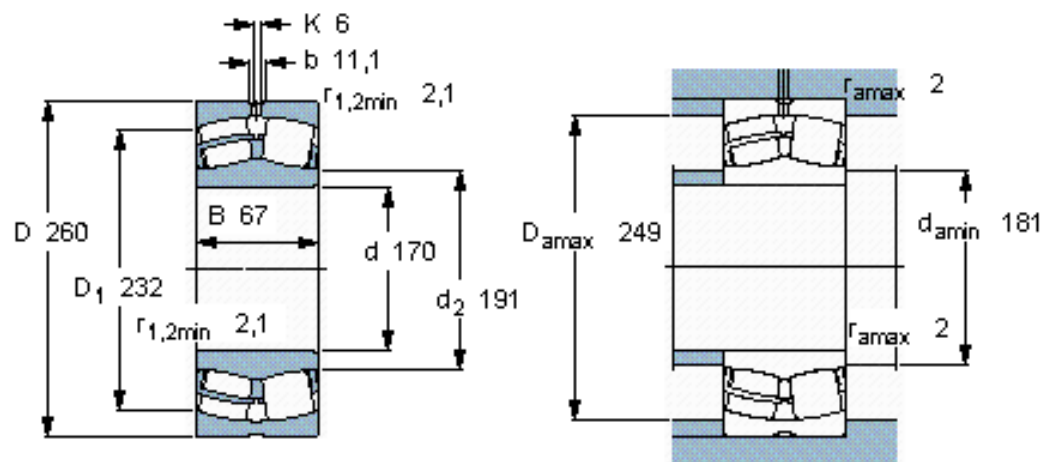


Spherical roller bearings, cylindrical and tapered bore

Principal dimensions			Basic load ratings		Fatigue load limit Pu	Speed ratings		Mass	Designation
d	D	B	dynamic	static		Reference speed	Limiting speed		
mm			kN		kN	r/min		kg	-
170	260	67	710	1060	100	2200	2800	13,0	23034 CC/W33 *



Calculation factors

$e = 0,23$
 $Y_1 = 2,9$
 $Y_2 = 4,4$
 $Y_0 = 2,8$