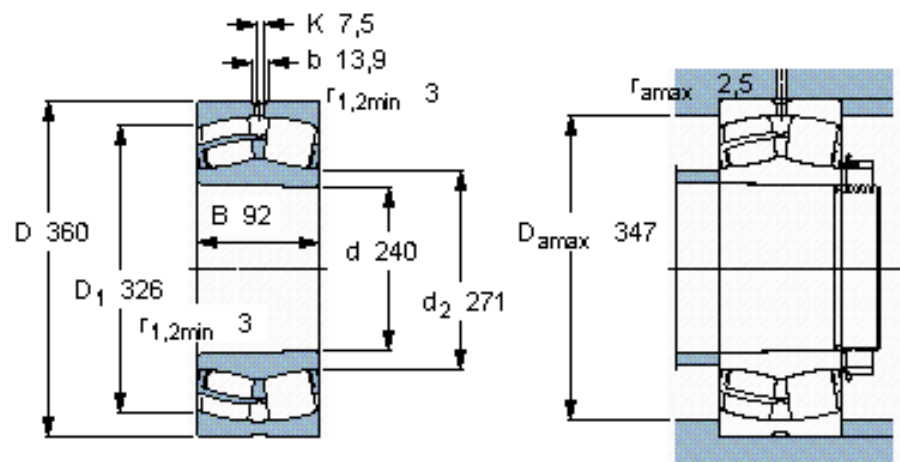


Spherical roller bearings, cylindrical and tapered bore

Principal dimensions			Basic load ratings		Fatigue load limit Pu	Speed ratings		Mass	Designation
d	D	B	dynamic	static		Reference speed	Limiting speed		
mm			kN		kN	r/min		kg	-
240	360	92	1290	2080	176	1500	1900	32,5	23048 CCK/W33 *



Calculation factors

e 0,23
Y₁ 2,9
Y₂ 4,4
Y₀ 2,8