

PDF CAD IMP Print Close

Spherical roller bearings, cylindrical and tapered bore

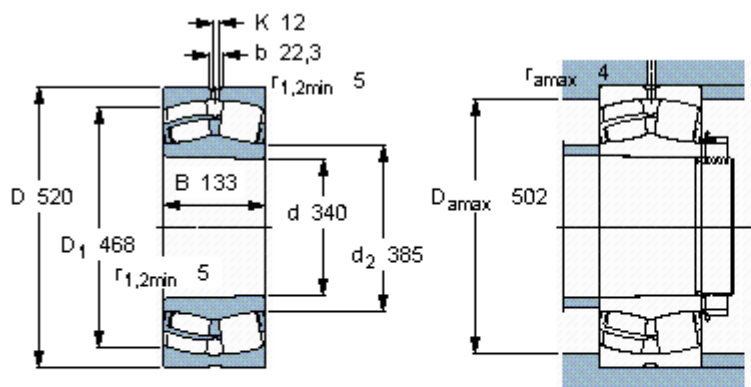
[Tolerances](#) , see also [text](#)

Radial internal clearance, [cylindrical bore](#) , [tapered bore](#) , see also [text](#)

[Recommended fits](#)

[Shaft and housing tolerances](#)

Principal dimensions			Basic load ratings		Fatigue load limit P_u	Speed ratings		Mass	Designation
d	D	B	dynamic	static		Reference speed	Limiting speed		
mm			kN		kN	r/min		kg	-
340	520	133	2700	4550	335	1000	1300	100	23068 CCK/W33 *



Calculation factors

e 0,24
 Y_1 2,8
 Y_2 4,2
 Y_0 2,8