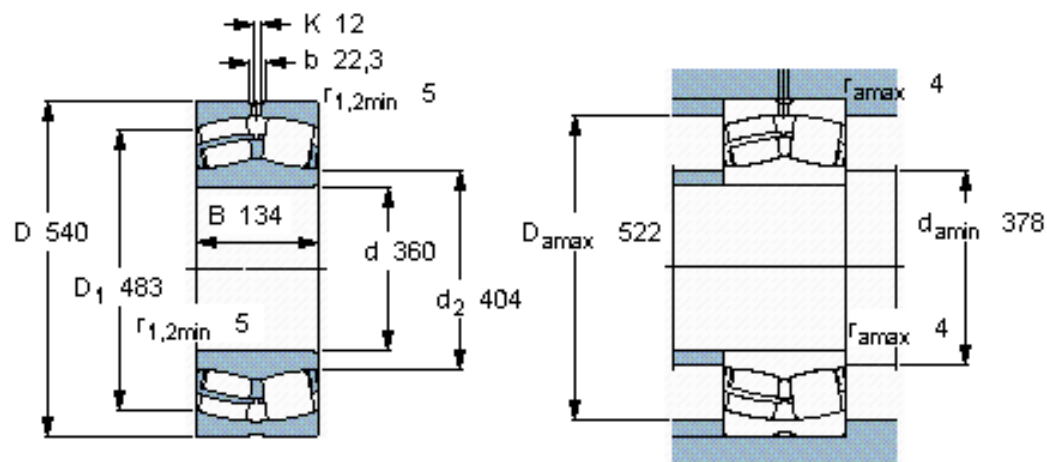


### Spherical roller bearings, cylindrical and tapered bore

Principal dimensions			Basic load ratings		Fatigue load limit Pu	Speed ratings		Mass kg	Designation
d	D	B	dynamic	static		Reference speed	Limiting speed		
mm			kN	C0	kN	r/min			* - SKF Explorer bearing
360	540	134	2750	4800	345	950	1200	110	23072 CC/W33 *



#### Calculation factors

$e = 0,23$   
 $Y_1 = 2,9$   
 $Y_2 = 4,4$   
 $Y_0 = 2,8$