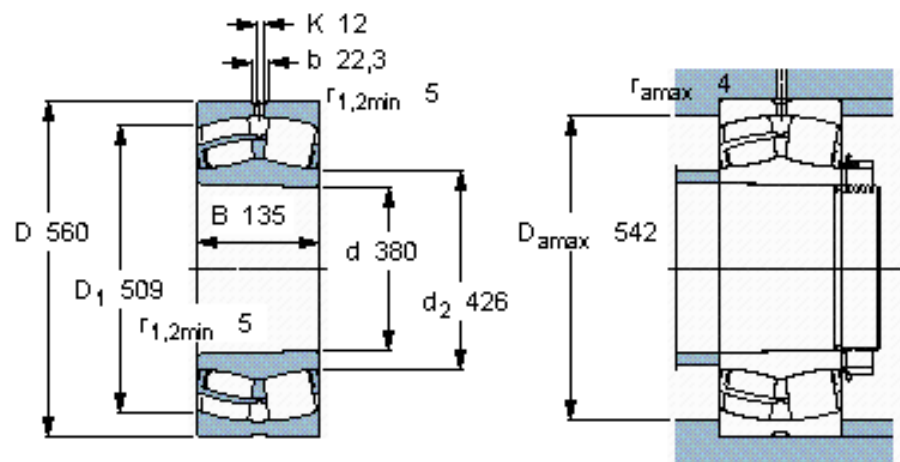


### Spherical roller bearings, cylindrical and tapered bore

Principal dimensions			Basic load ratings		Fatigue load limit Pu	Speed ratings		Mass	Designation
d	D	B	dynamic	static		Reference speed	Limiting speed		
mm			kN		kN	r/min		kg	-
380	560	135	2900	5000	360	900	1200	110	23076 CCK/W33 *



#### Calculation factors

$e = 0,22$   
 $Y_1 = 3$   
 $Y_2 = 4,6$   
 $Y_0 = 2,8$