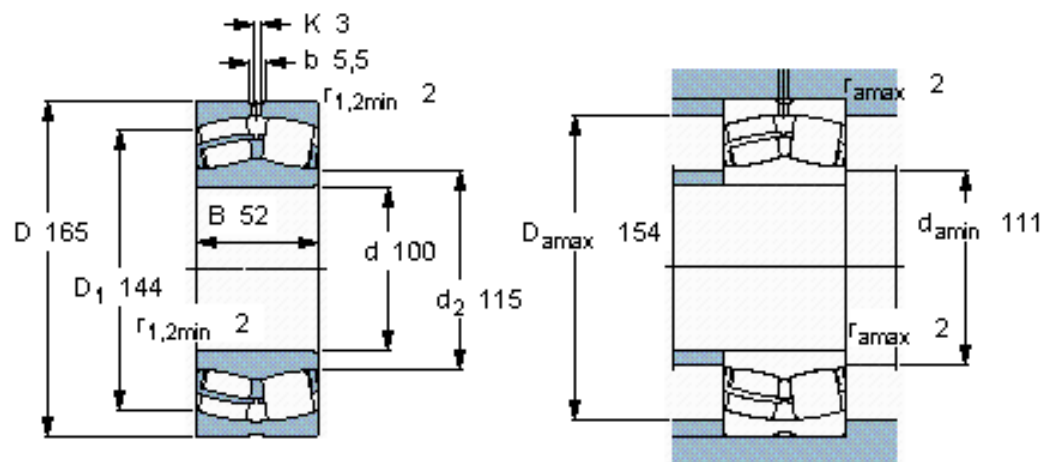


### Spherical roller bearings, cylindrical and tapered bore

Principal dimensions			Basic load ratings		Fatigue load limit Pu	Speed ratings		Mass	Designation
d	D	B	dynamic	static		Reference speed	Limiting speed		
mm			kN		kN	r/min		kg	-
100	165	52	365	490	53	3000	4000	4,55	23120 CC/W33 *



#### Calculation factors

$e$  0,30  
 $Y_1$  2,3  
 $Y_2$  3,4  
 $Y_0$  2,2