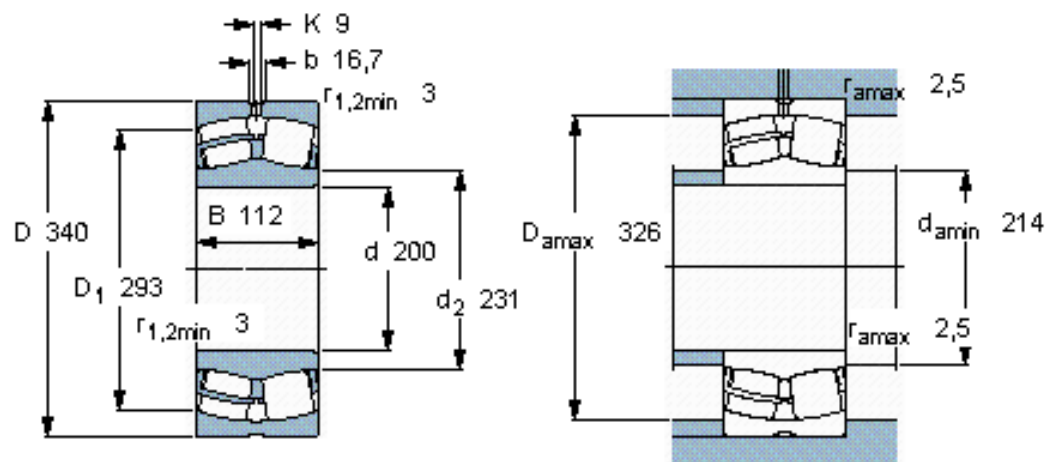


Spherical roller bearings, cylindrical and tapered bore

| Principal dimensions | | | Basic load ratings | | Fatigue load limit Pu | Speed ratings | | Mass | Designation |
|----------------------|-----|-----|--------------------|--------|--------------------------|-----------------|----------------|------|----------------|
| d | D | B | dynamic | static | | Reference speed | Limiting speed | | |
| mm | | | kN | | kN | r/min | | kg | - |
| 200 | 340 | 112 | 1600 | 2360 | 204 | 1500 | 1900 | 43,0 | 23140 CC/W33 * |



Calculation factors

e 0,31
 Y_1 2,2
 Y_2 3,3
 Y_0 2,2