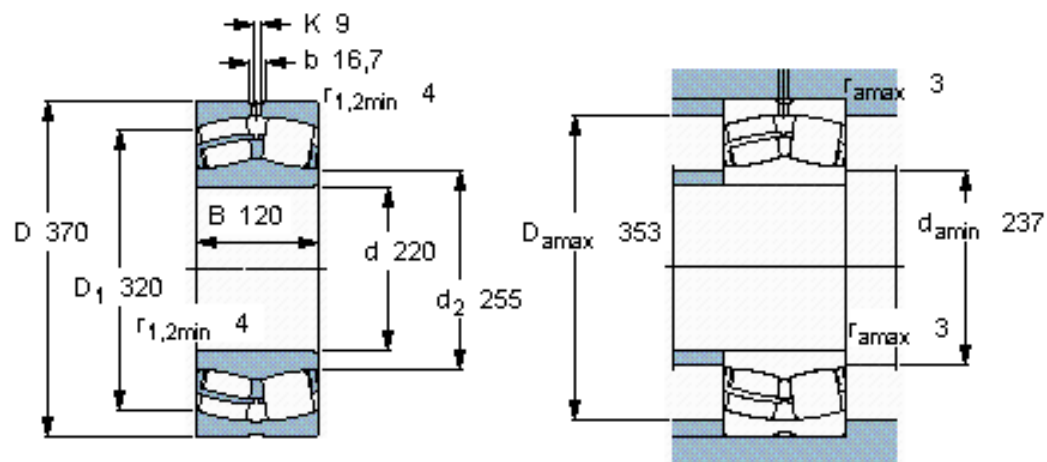


Spherical roller bearings, cylindrical and tapered bore

Principal dimensions			Basic load ratings		Fatigue load limit Pu	Speed ratings		Mass	Designation
d	D	B	dynamic	static		Reference speed	Limiting speed		
mm			kN	C0	kN	r/min	kg		* - SKF Explorer bearing
220	370	120	1800	2750	232	1300	1700	53,5	23144 CC/W33 *



Calculation factors

e 0,30
 Y₁ 2,3
 Y₂ 3,4
 Y₀ 2,2