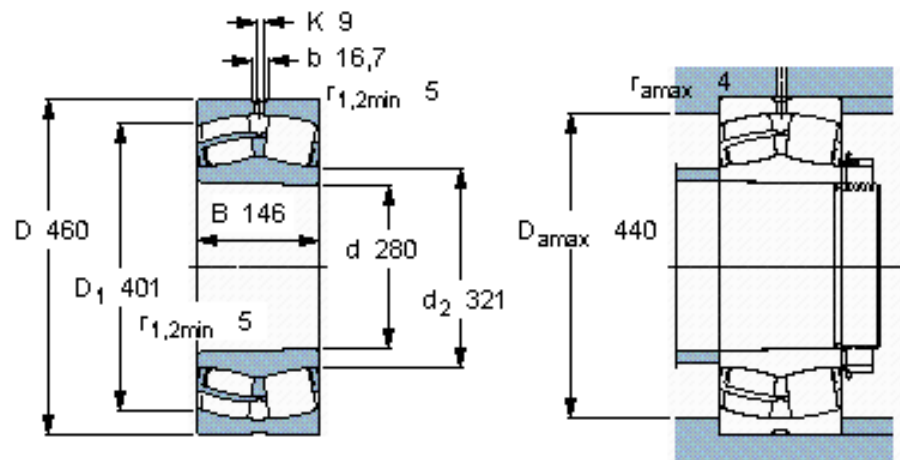


### Spherical roller bearings, cylindrical and tapered bore

Principal dimensions			Basic load ratings		Fatigue load limit Pu	Speed ratings		Mass	Designation
d	D	B	dynamic	static		Reference speed	Limiting speed		
mm			kN	C0	kN	r/min		kg	* - SKF Explorer bearing
280	460	146	2650	4250	335	1000	1300	94,0	23156 CCK/W33 *



#### Calculation factors

$e = 0,30$   
 $Y_1 = 2,3$   
 $Y_2 = 3,4$   
 $Y_0 = 2,2$