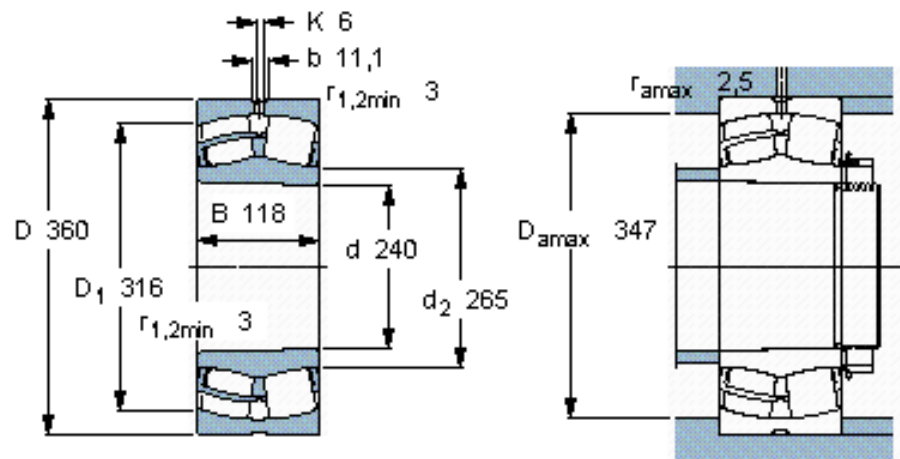


Spherical roller bearings, cylindrical and tapered bore

Principal dimensions			Basic load ratings		Fatigue load limit Pu	Speed ratings		Mass	Designation
d	D	B	dynamic	static		Reference speed	Limiting speed		
mm			kN		kN	r/min		kg	-
240	360	118	1600	2700	228	1100	1600	42,5	24048 CCK30/W33 *



Calculation factors

e 0,30
 Y_1 2,3
 Y_2 3,4
 Y_0 2,2